

IDENTIFIRE

REMOTE LAMP UNIT

A product designed for both conventional and analogue addressable fire alarm systems. Available as a visual indicator and audible/visual indicator, the Identifire Remote Lamp Unit can be easily retrofitted to existing systems or incorporated as part of a new installation.

As with the wider Identifire range, the product is designed to fit any recessed single gang box, giving a flush finish or surface mounted using the Identifire surface box.

In common with all other Identifire products, our Remote Lamp Unit can be customised with your choice of logo and text in any language*

FEATURES

- Discrete design
- Available as both a lamp and combined lamp/buzzer
- Low current consumption
- Will operate at both 12 and 24 V dc
- Features 4 x 20 mm knockouts for surface and glanded entry

SPECIFICATION

Operating Voltage	12 - 28 V dc
Current Consumption	Max. 22 mA for Conventional Addressable - detector dependent
Weight	0.06 kg
Operating Temperature	-5°C to +50°C
Material	Fire rated ABS

PART CODE

Part Code	Part Name
10-2011WFR-S**	Identifire Remote Lamp Unit, Flush, White, Red
10-2011WSR-S**	Identifire Remote Lamp Unit, Surface, White, Red
10-2111WFR-S**	Identifire Remote Lamp Unit with Buzzer, Flush, White, Red
10-2111WSR-S**	Identifire Remote Lamp Unit with Buzzer, Surface, White, Red

** '-S' denotes single packed and boxed units. Multi packs available on request.



FLUSH MOUNTED



SURFACE MOUNTED



*Minimum order quantities / setup charge may apply

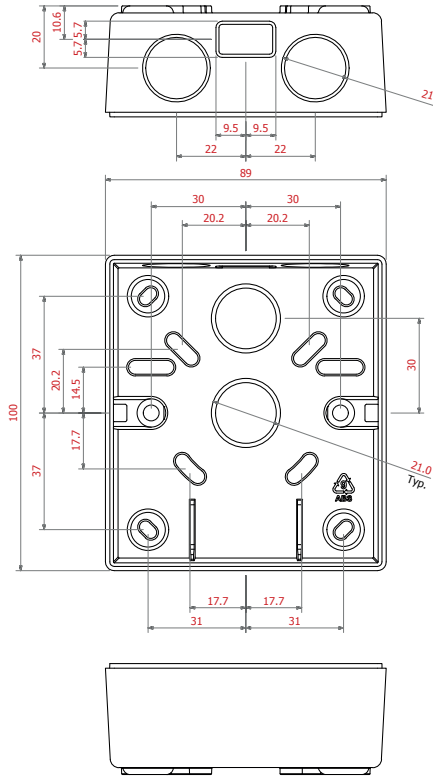
Identifire product is compatible with 2 wire fire alarm systems.
List of compatible control panels available.

IDENTIFIRE

REMOTE LAMP UNIT

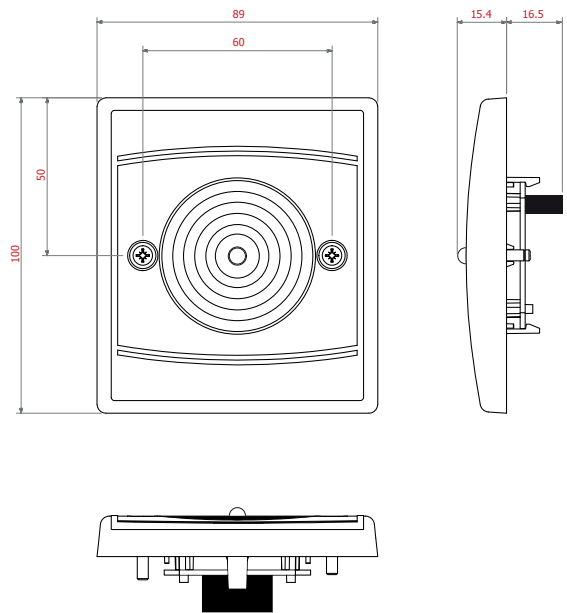
TECHNICAL DRAWING

BACK BOX



REMOTE LAMP UNIT

Dimensions: mm



DS/3700035/ISS 3

We reserve the right to change or amend any design or specification in line with our policy of continuing development and improvement.

Vimpex LTD
 Star Lane, Great Wakering,
 Essex SS3 0PJ, UK
 t. +44 (0) 1702 216999
 e. sales@vimpex.co.uk
www.vimpex.co.uk

Vimpex Interguard AB
 t. +46 (0) 36 37 10 65
 e. sales@vimpex.se



Quality System Certificate No. 456
 Assessed to ISO 9001