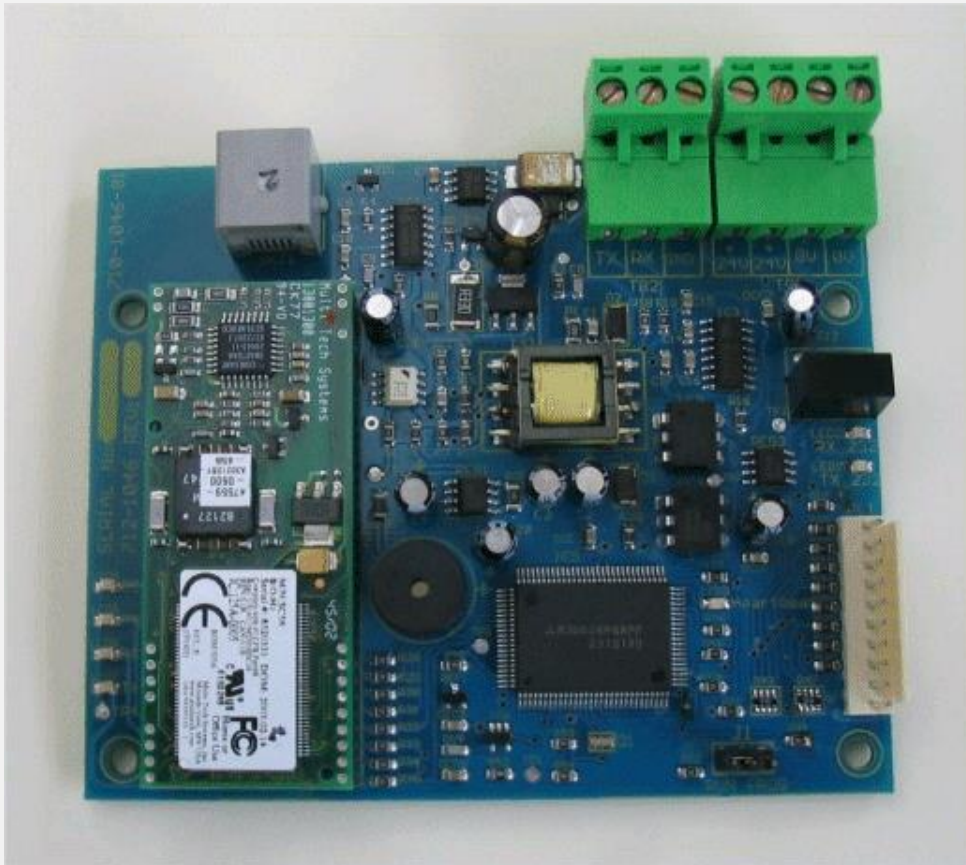


Modem

MxPro⁴



Specifications:

Models, Sales Order Parts:

Part No:

Mxp-028-F: Internal panel modem mounted within a MxPro 4 2 Loop, 4 Loop or 8 Loop control panel.

Mxp-028-BX: Boxed modem. (See specification details for enclosure dimensions)

Spares:

Mxp-028: Modem Card

Applications / Limitations:

The modem will allow interactive interrogation of the connected fire product including transfer of the event log using Pc-Net-004 software.

Note: The Mxp-008 '8 Way Relay Output Card' cannot be fitted with the panel mounted Modem.

Compatibility:

Internal fitting of the Mxp-028 is applicable only to the MxPro 4 2 loop, 4 loop and 8 loop control panels.

The Mxp-028-BX can be used with MxPro 4 1 Loop, 2 Loop, 4 Loop or 8 Loop control panels

Item	Specification Details
Power supply	15-30V DC (e.g. Wired from panel 24V auxiliary supply)
Supply current	100mA (typical at 24V DC).
Temperature	-5°C to 50°C
Humidity	95% Humidity (non-condensing)
Dimensions	Enclosure: 218mm H x 300mm W x 45mm D

Table of Contents

Page

1	POWER AND DATA CONNECTIONS.....	4
1.1	HEARTBEAT LED INDICATOR.....	4
1.2	MODEM STATUS LEDS.....	4
1.3	RS232 ACTIVITY LEDS.....	4

Features

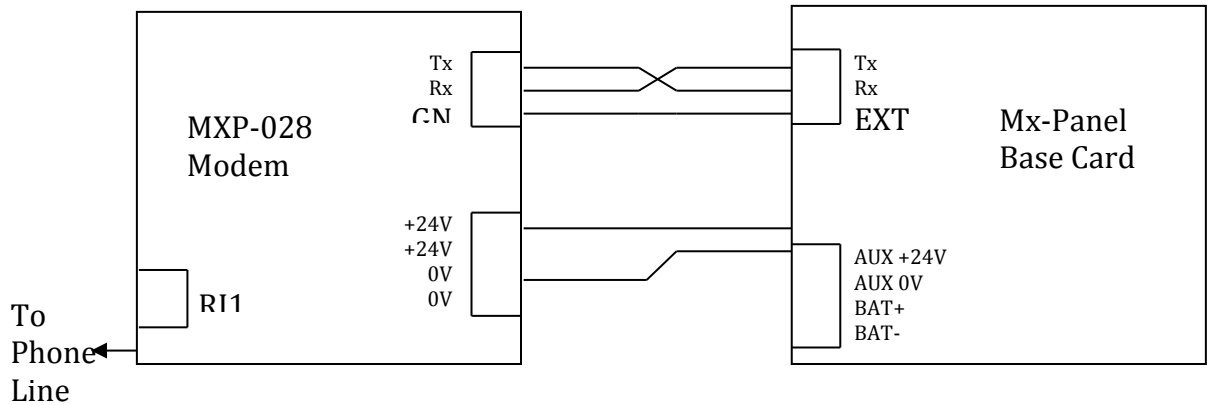
- This modem unit provides remote dial-in access to MxPro 4 series fire products.
- The modem card can be mounted inside the MxPro4 2 or 4 Loop fire panels or supplied as a separate boxed unit for the MxPro 4 1 Loop fire panel.
- Uses Pc-Net-004 dial-up software to make a PC to site connection.

1 Power and Data Connections

The Mxp-028 modem requires a 24V supply. The power supplied used MUST BE designated a Safety Extra Low Voltage (SELV) supply.

Connect the 0V and 24V terminals to 24V power supply (e.g. to the Aux 0V and 24V of the base card).

Connect the modem's TX, RX and GND terminals to the RS232 connector on the Panel as shown below. Note that the Tx & Rx connections are crossed.



1.1 Heartbeat LED Indicator

When the modem is powered up, LED 3 (the heartbeat LED) will initially flash at a rate of 2Hz (twice per second) for the first 5 seconds while the modem is being initialized and then change to a rate of 1Hz (once per second) to indicate normal operation.

1.2 Modem Status LEDs

- DCDIND – Lit when a carrier is detected (i.e. a telephone connection has been established).
- RXIND – Lit when data is received by the modem
- DTRIND – Always lit.
- TXIND – Lit when data is transmitted from the modem

1.3 RS232 Activity LEDs

- RS232 RX – Lit when data is received from the fire panel.
- RS232 TX – Lit when data is transmitted to the fire panel.

USER NOTES

Doc Number: 680-050

Revision: 01A



Advanced Electronics Ltd
Moorland Way, Cramlington, Northumberland, NE23 1WE UK

Tel: +44 (0)1670 707 111

Fax: +44 (0)1670 707 222

Email: sales@advancedco.com

Web: www.advancedco.com